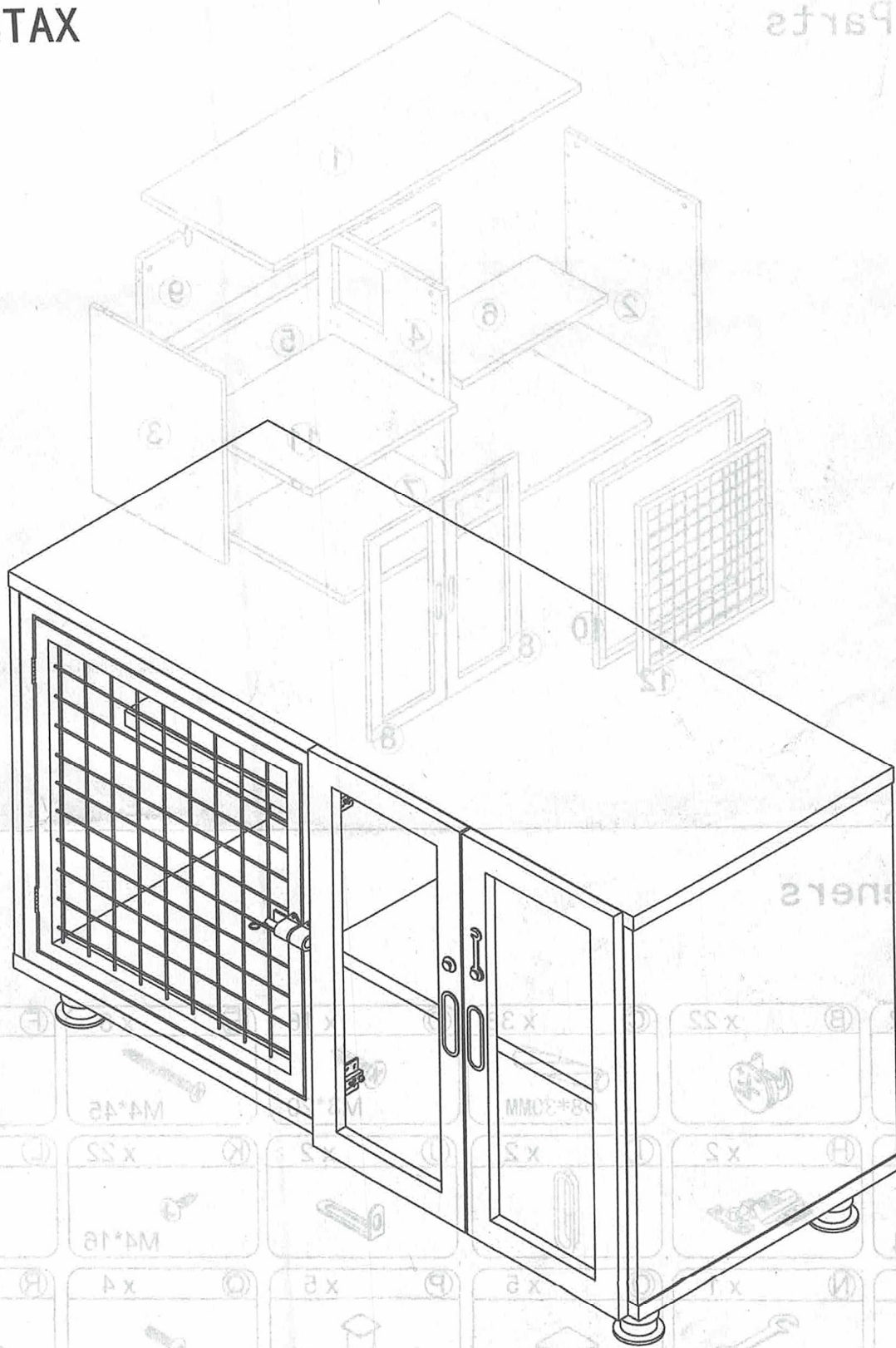


CAT STAX

Wood Parts

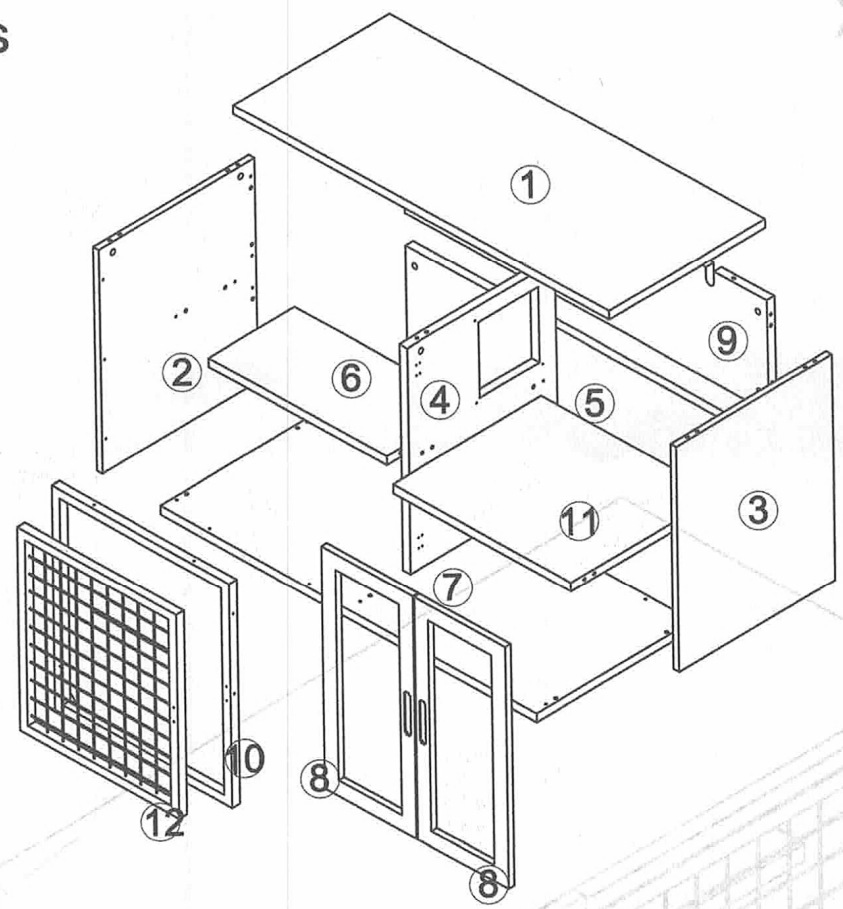


Fasteners

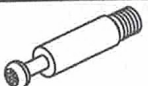





















(A) x 2	(B) x 22	(C) x 3	(D) x 2	(E) x 4	(F) x 4
(G) x 2	(H) x 2	(I) x 2	(J) x 2	(K) x 2	(L) x 2
(M) x 1	(N) x 1	(O) x 2	(P) x 2	(Q) x 4	(R) x 12
(S) x 2	(T) x 2	(U) x 8	(V) x 2	(W) x 2	(X) x 2

Wood Parts

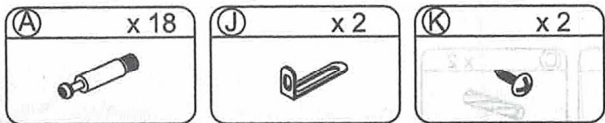
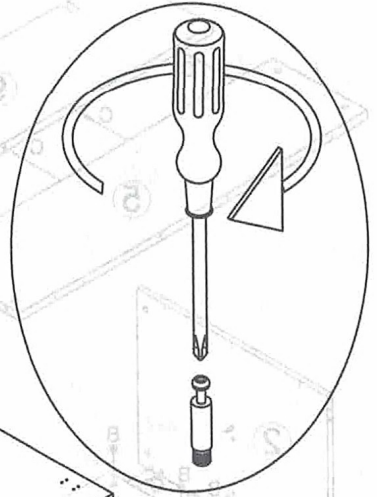
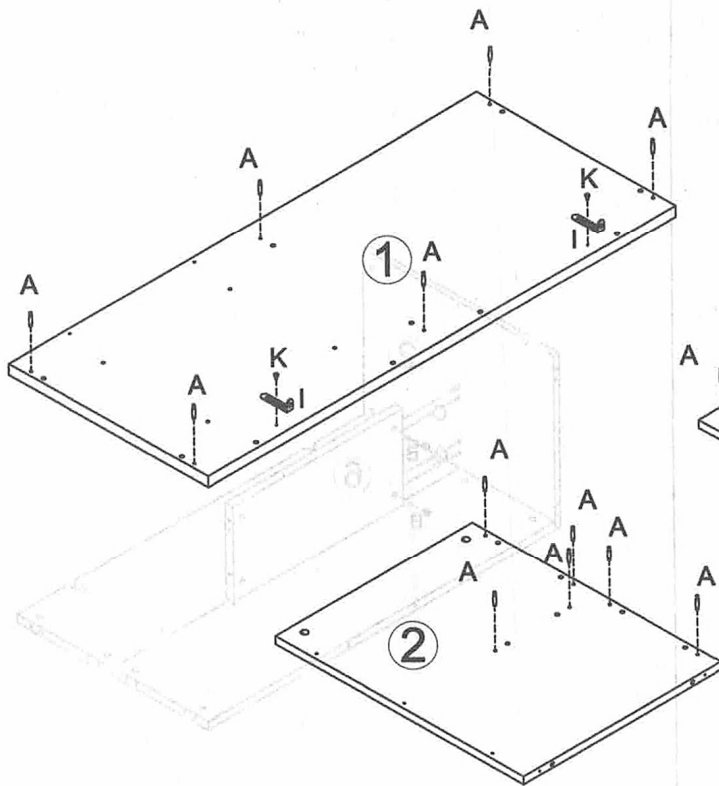
XAT2 TAO



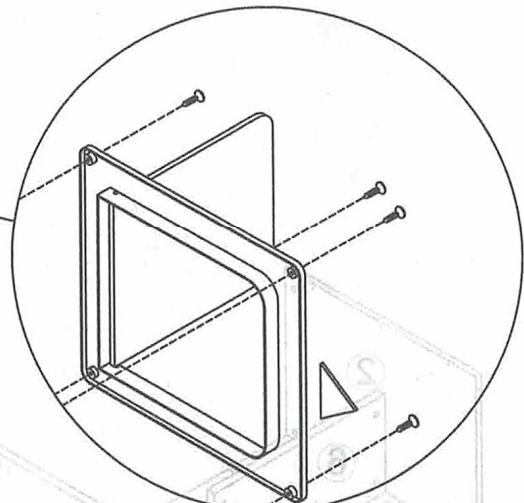
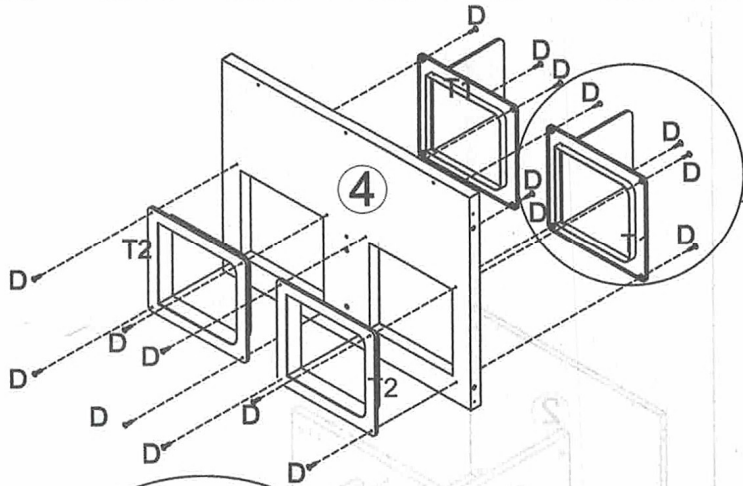
Fasteners

(A) x 22 	(B) x 22 	(C) x 38  ø8*30MM	(D) x 16  M3*20	(E) x 8  M4*45	(F) x 4  M3*16
(G) x 24  M3.5*14	(H) x 2 	(I) x 2 	(J) x 2 	(K) x 22  M4*16	(L) x 2 
(M) x 1 	(N) x 1 	(O) x 5 	(P) x 5 	(Q) x 4  M4*12	(R) x 12  M4*35
(S) x 2 	(T) x 2 	(U) x 8  M5*10	(V) x 2 		

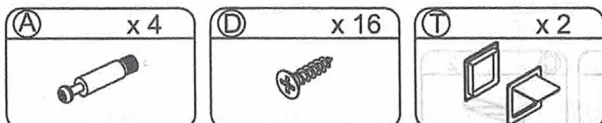
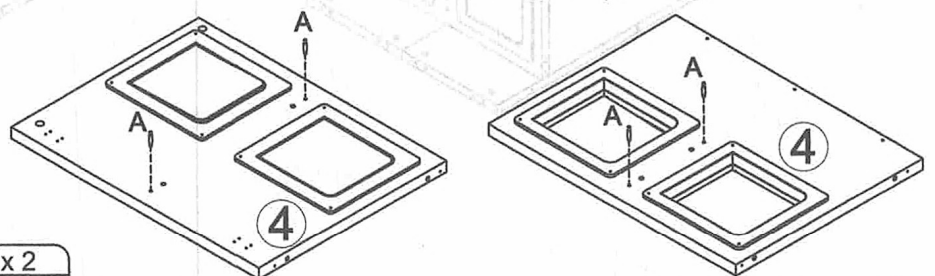
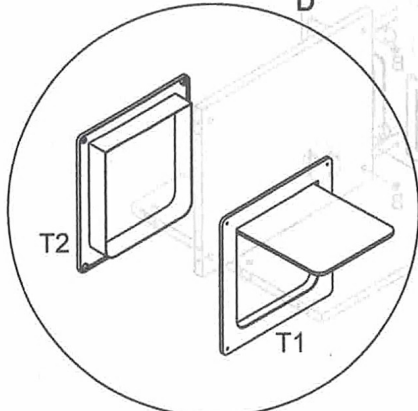
1



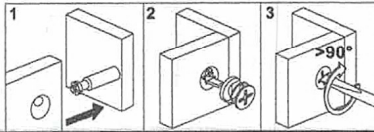
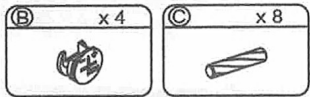
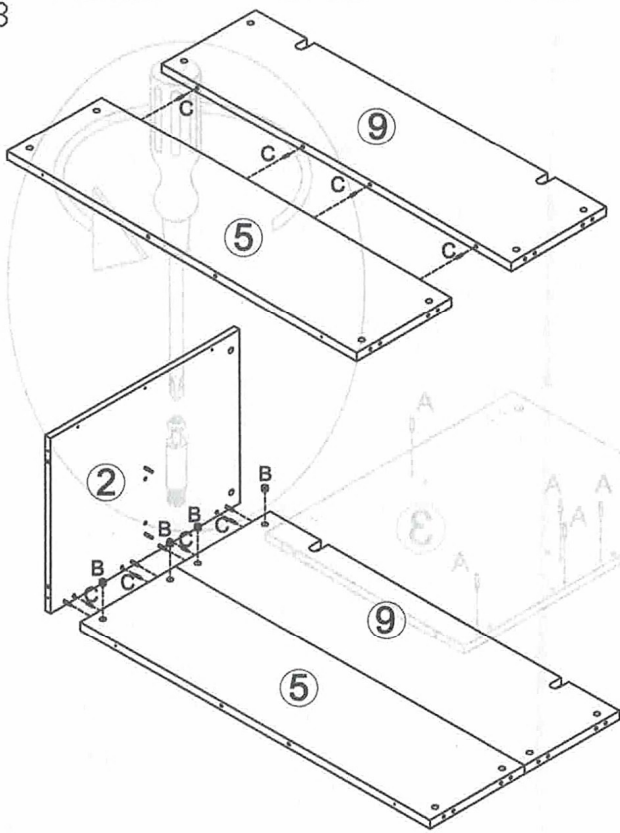
2



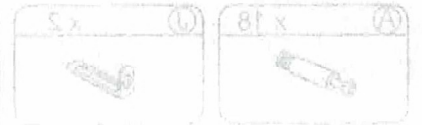
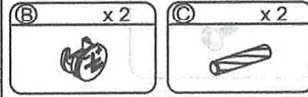
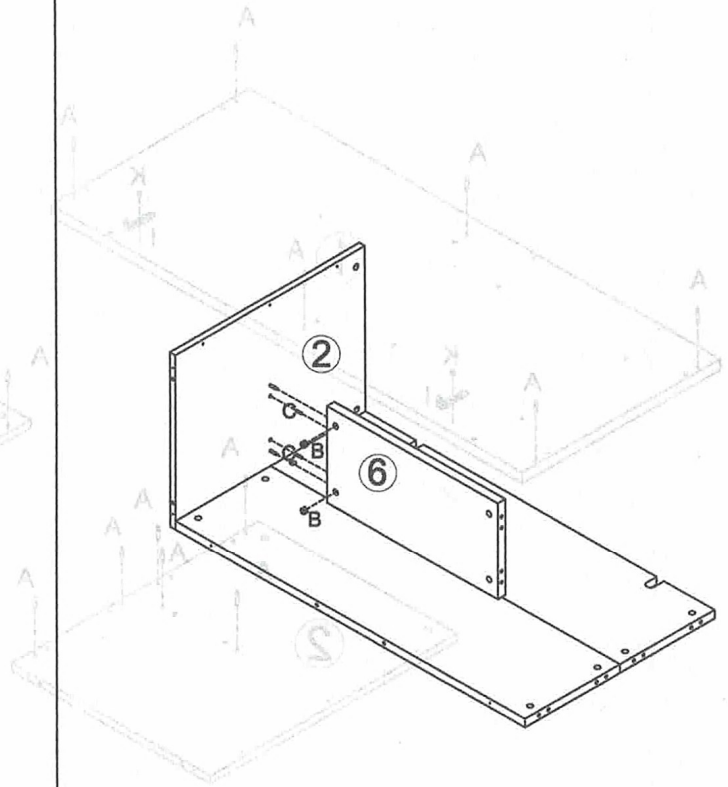
Make sure the curved edge in the right place



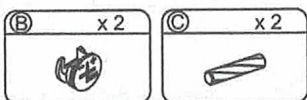
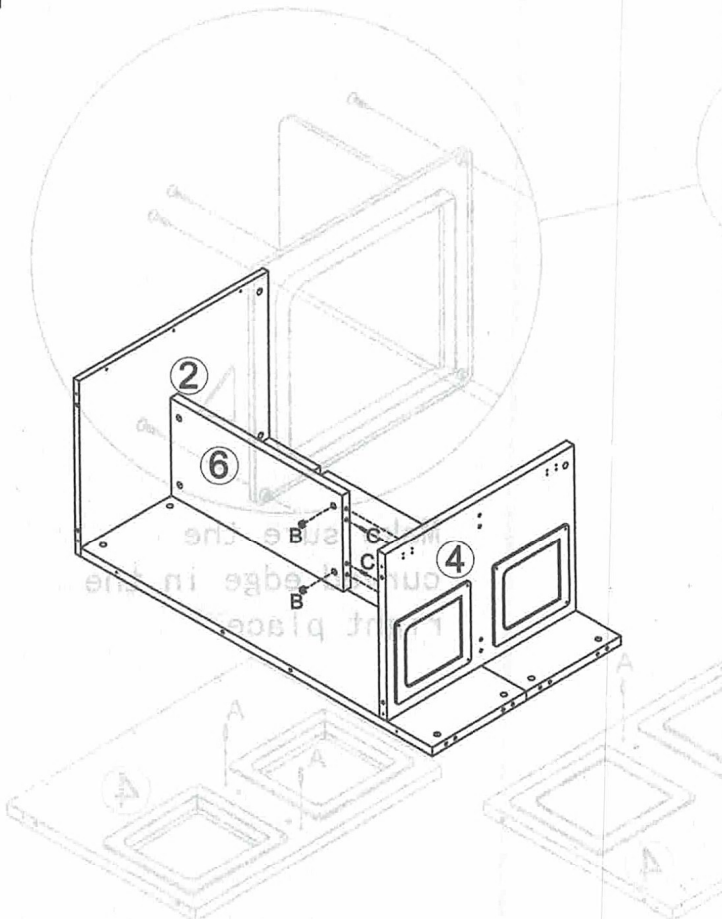
3



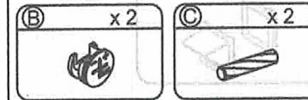
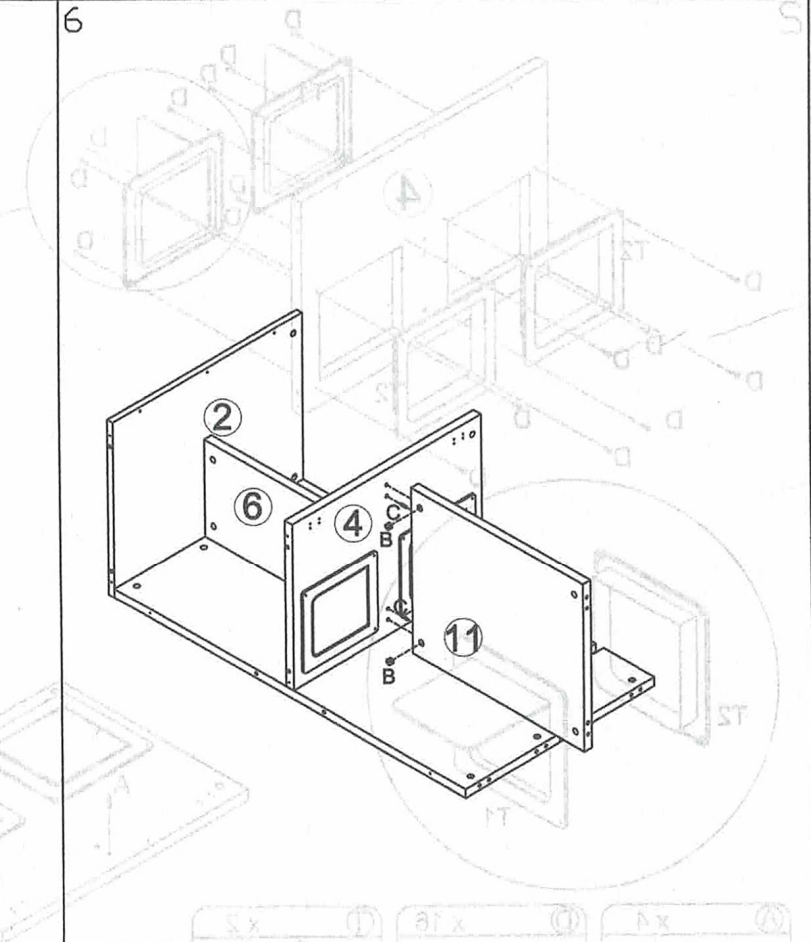
4

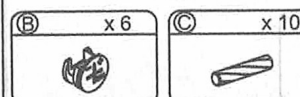
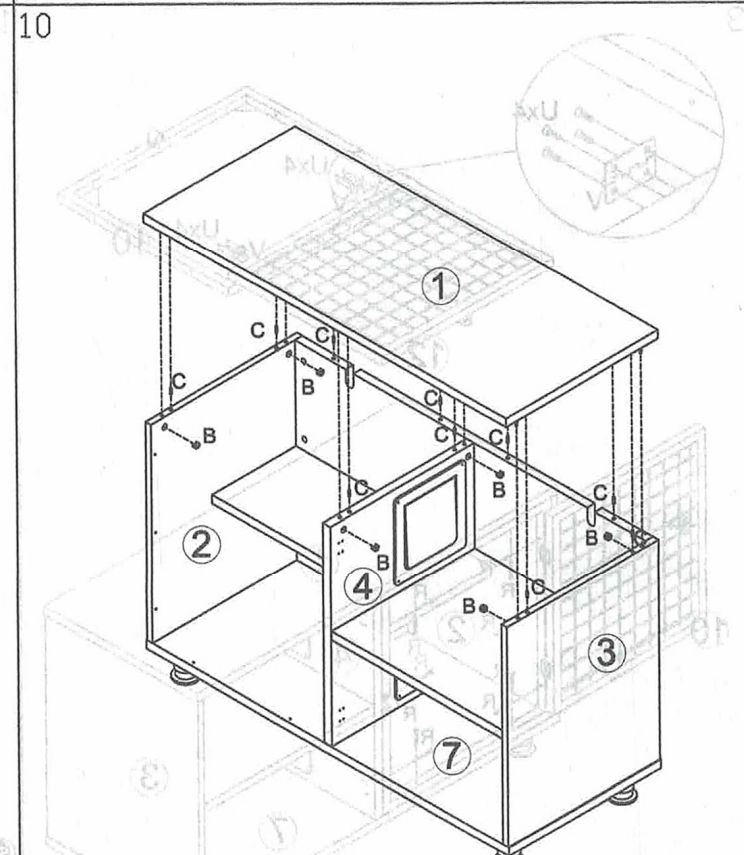
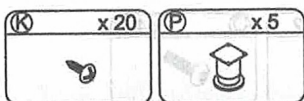
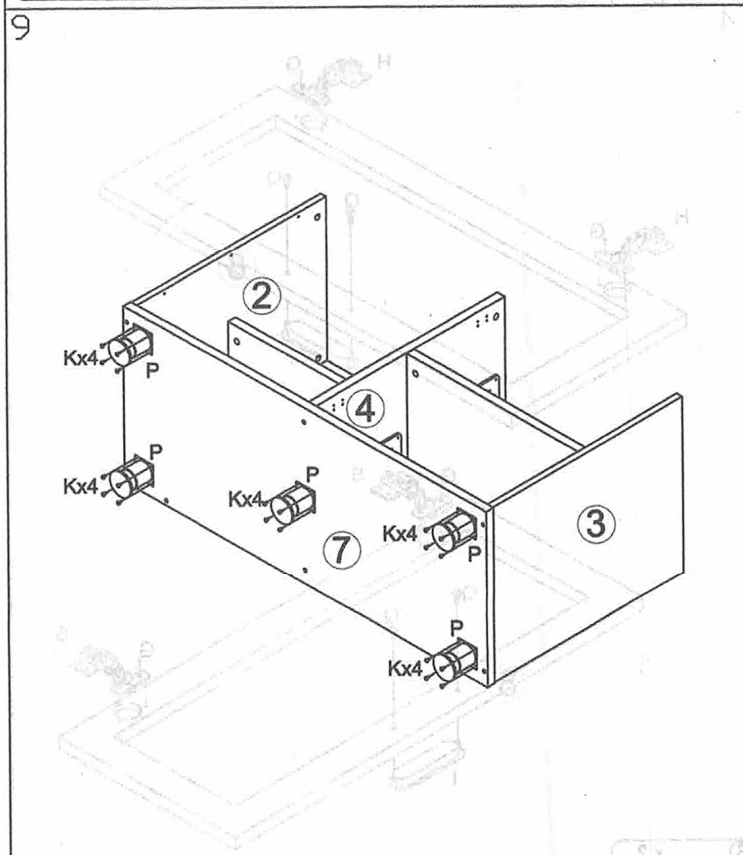
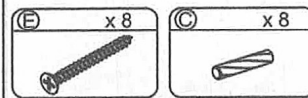
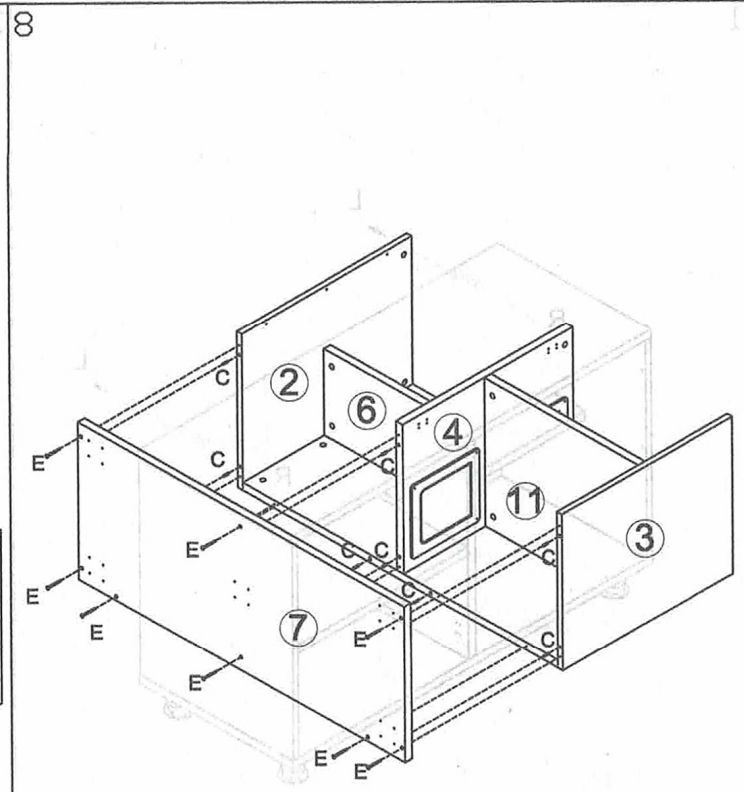
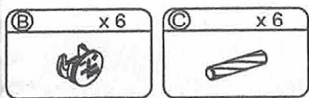
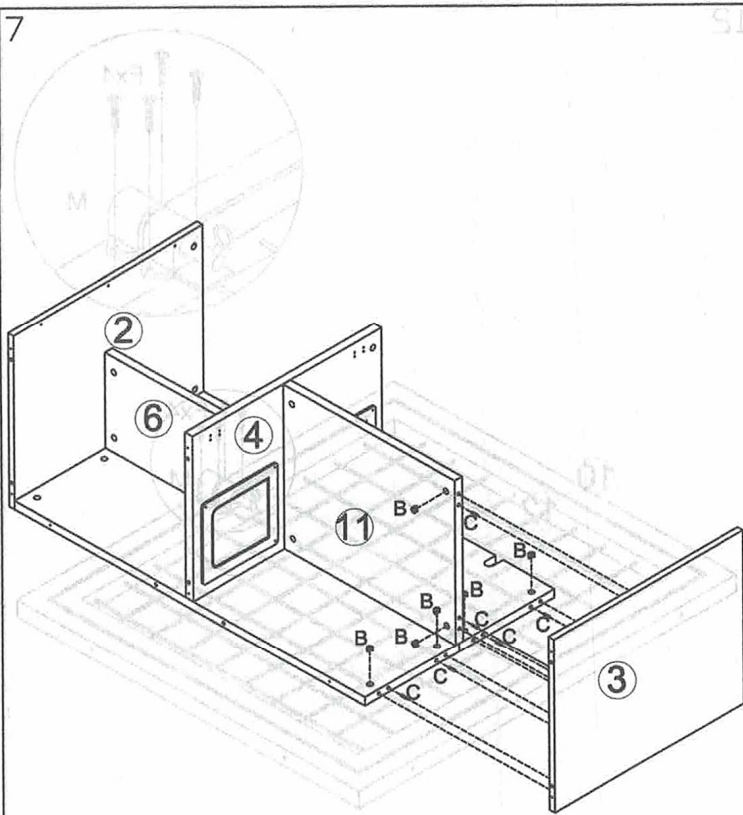


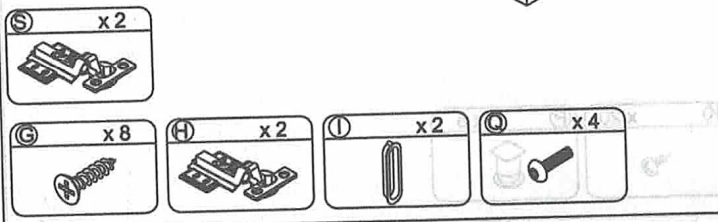
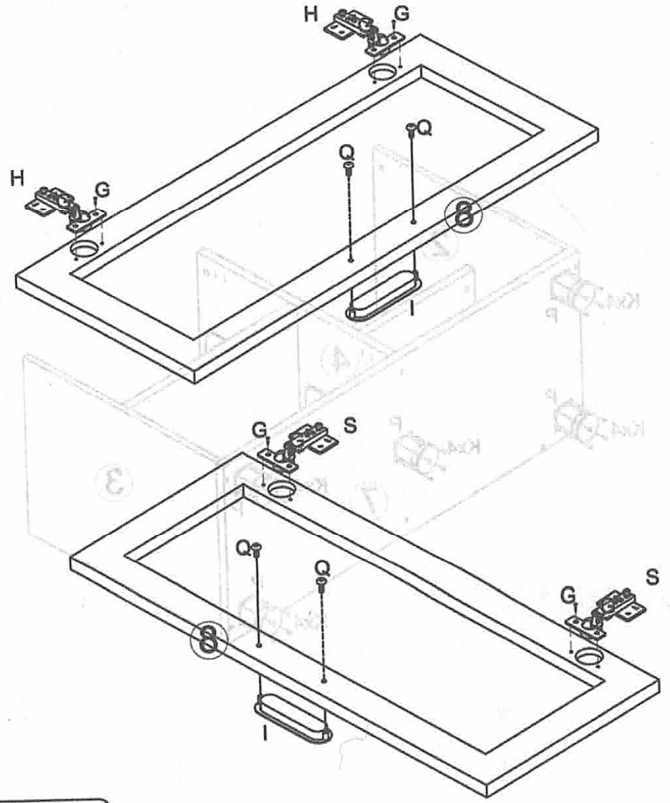
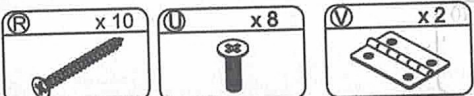
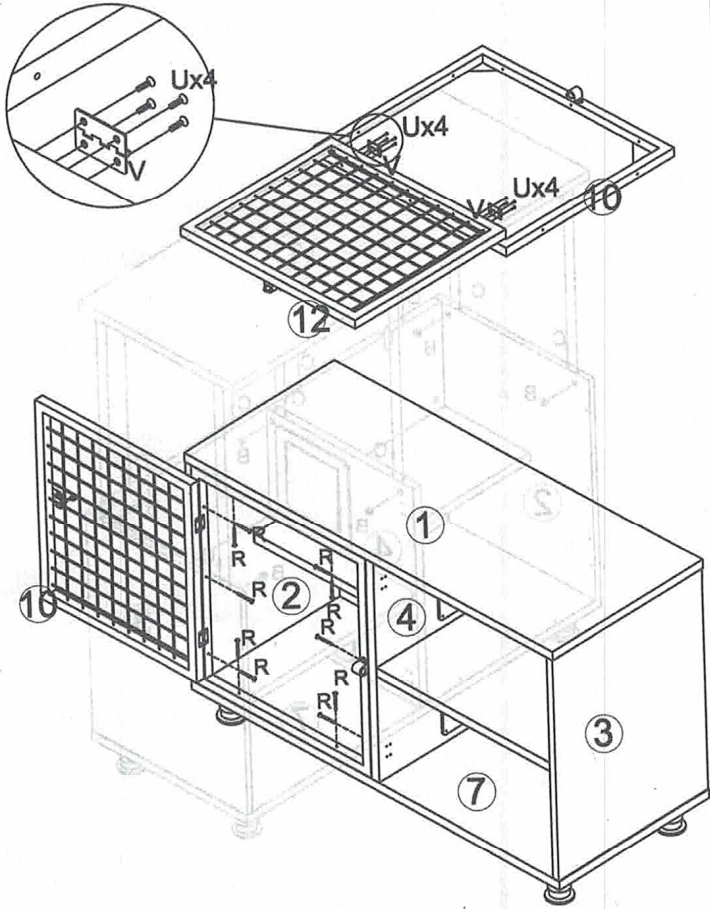
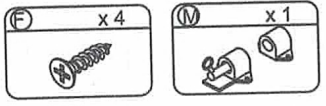
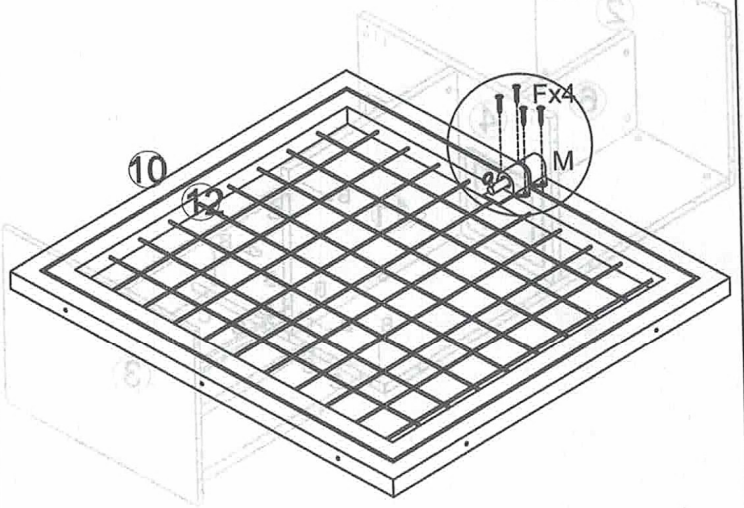
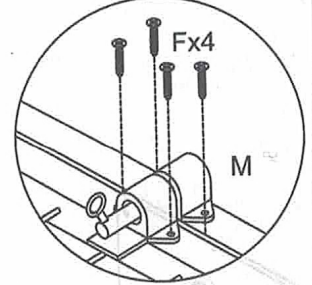
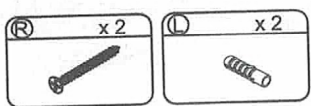
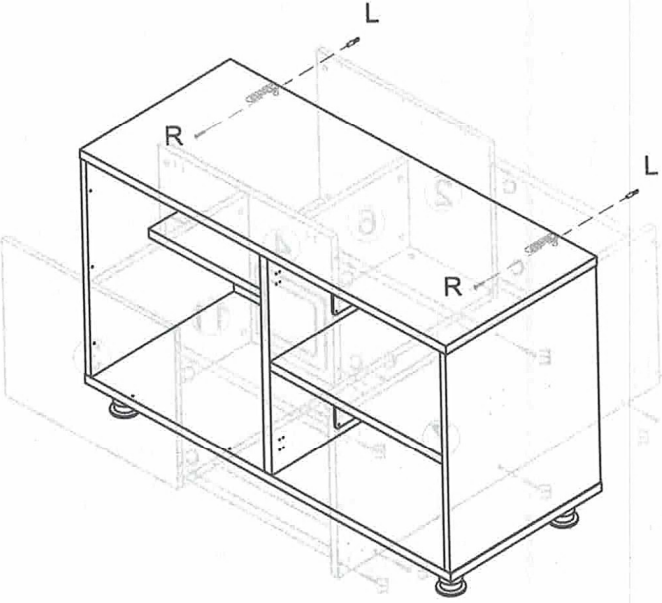
5

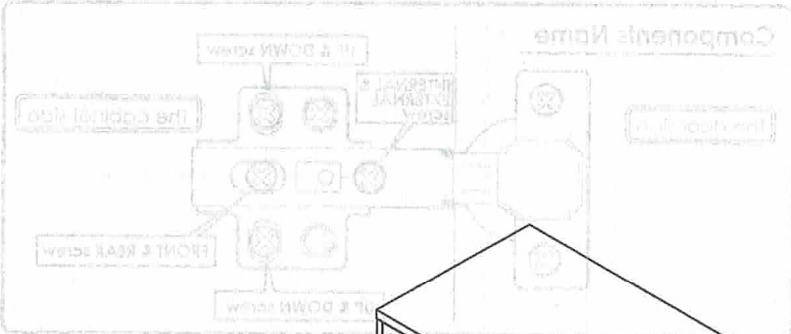


6



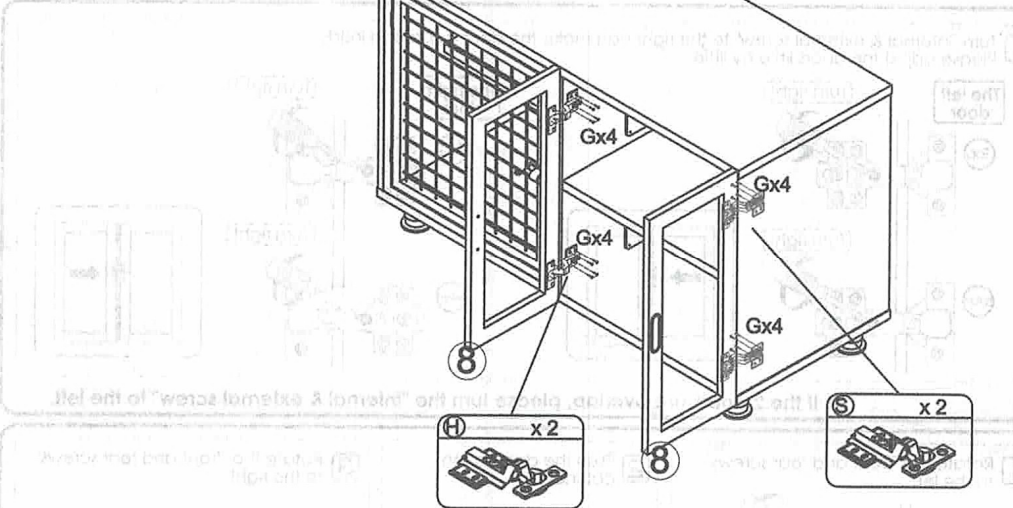




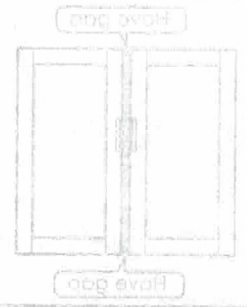


The ways to adjust the door

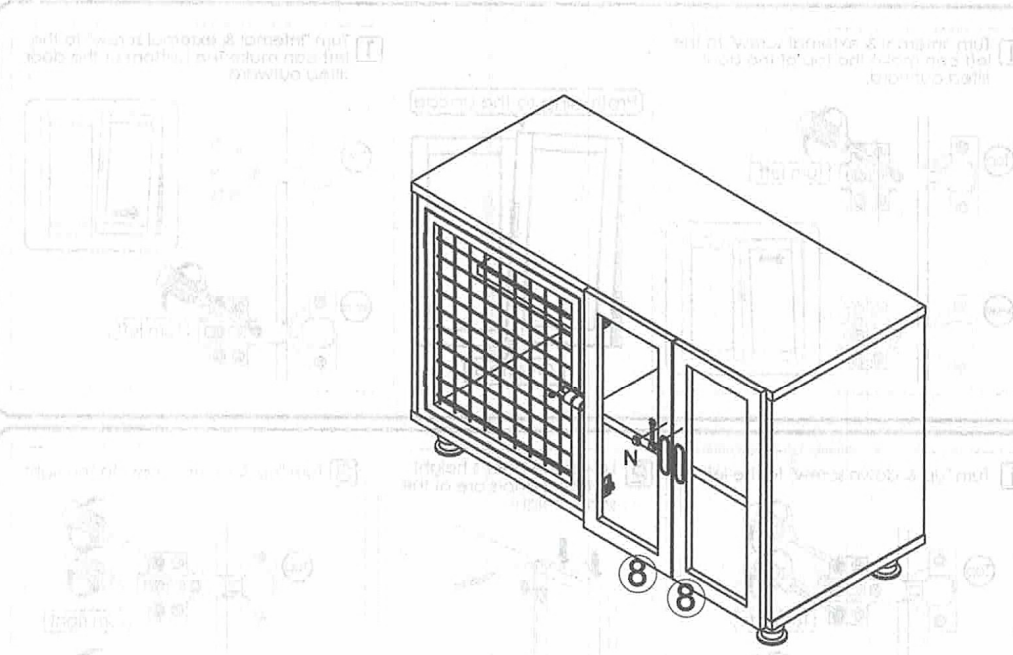
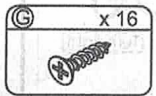
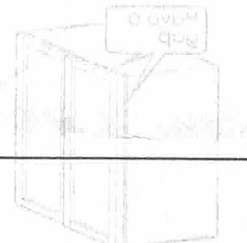
- Before adjusting the hinge please check whether the cabinet is skewed.
- If the skew can not be repaired please remove the anti-tipping device first then adjust the cabinet to vertical position.
- Please adjust the hinge with the door open.
- Please operate it with more than 3 people, one person holds the door and the other one adjusts the door.



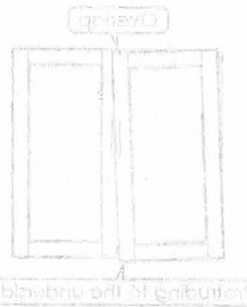
Obvious gaps between doors or Doors don't look closed



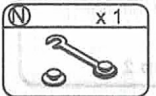
When door is crooked



When door is leaning



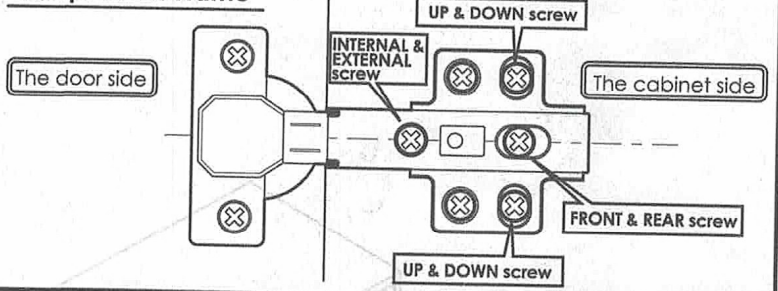
When the door is higher on top



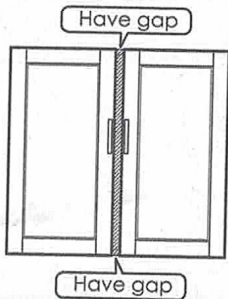
The ways to adjust the door

- Before adjusting the hinge, please check whether the cabinet is skewed.
- If the skew can not be repaired, please remove the anti-flipping device first, then adjust the cabinet to vertical position.
- Please adjust the hinge with the door open.
- Please operate it with more than 2 people, one person holds the door and the other one adjusts the screw.

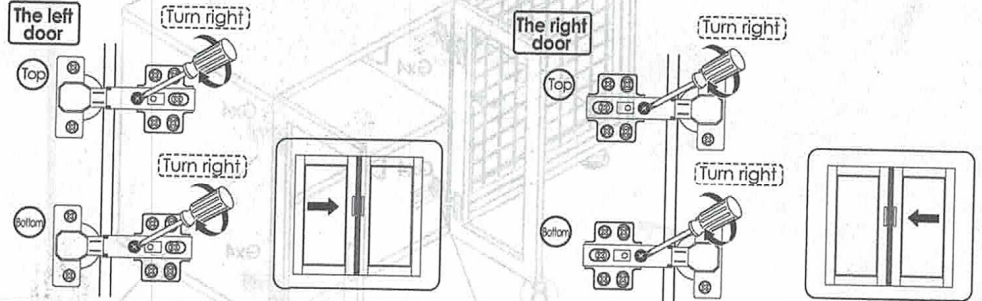
Components Name



Obvious gaps between doors or Doors don't look closed



- 1 Turn "internal & external screw" to the right can make the door approach inside. Please adjust the doors little by little.

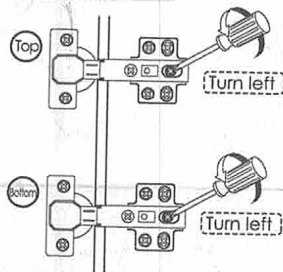


When door is crooked

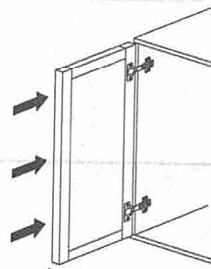


Please take the following steps to adjust first.

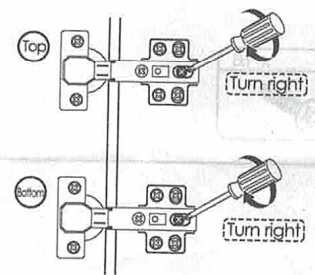
- 1 Rotate the "front and rear screws" to the left



- 2 Push the door to the cabinet

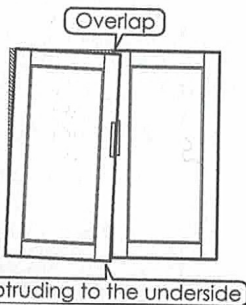


- 3 Rotate the "front and rear screws" to the right

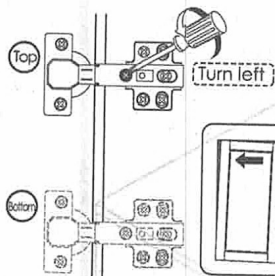


※ After adjusting the "front and rear screw", the door still does not change, please turn the "internal & external screw" to the right slightly.

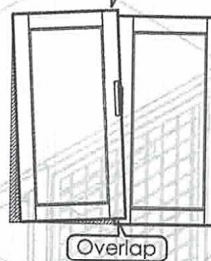
When door is leaning



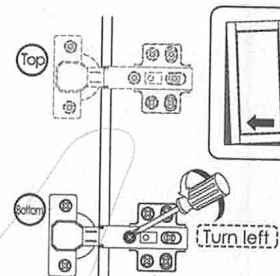
- 1 Turn "internal & external screw" to the left can make the top of the door tilted outward.



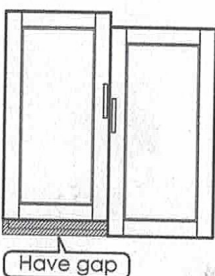
Protruding to the upside



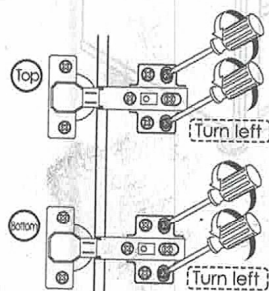
- 1 Turn "internal & external screw" to the left can make the bottom of the door tilted outward.



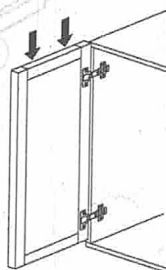
When the door is higher on top



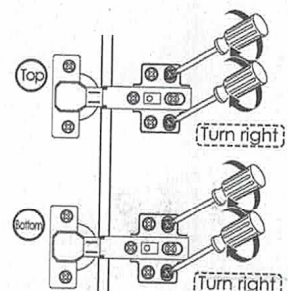
- 1 Turn "up & down screw" to the left



- 2 Lower the door's height so that 2 doors are of the same height.



- 3 Turn "up & down screw" to the right



※ If the door is lower on bottom, please lift up the left door slightly on step 2